



Project: _____

Location: _____

Cat. #: _____

Type: _____

Quantity: _____

LED

CEM/CEL LED Canopy Light

Features:

- High performance LED technology
- 0-10V dimming drivers standard
- Up to 100 lumens per watt
- Available Quick Mount Bracket (QMB) for easy installation. QMB also allows for pendant mounting.
- 1/2" coin plugs with O-rings for conduit and photocell located on two sides and back

Applications:

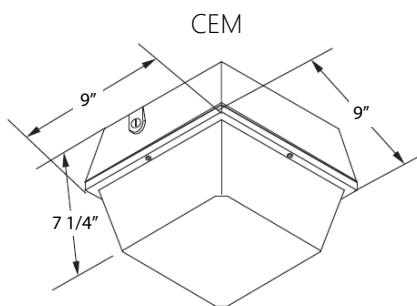
Suitable for most exterior canopy applications

- Industrial
- Retail
- Commercial

Ambient Operating Temp:

- -40°C to 40°C
- 0°C to 40°C with EM option

Schematics:



Construction:

- Die cast aluminum housing
- Textured powdercoat finish over a chromate conversion coating

Certifications:

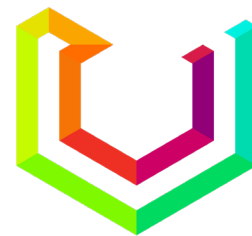
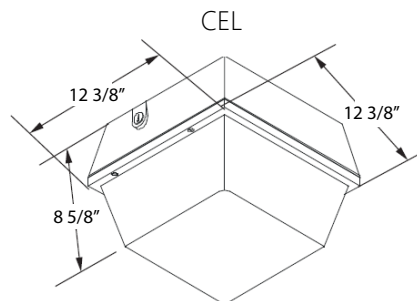
- CSA listed for wet locations (*damp locations when used with QMB*)
- IP65

Predicted L70 Lifetime:

- > 100,000hrs @ 25°C ambient (calc.)
- > 60,000hrs @ 25°C ambient (reported)
- 78% lumen maintenance @ 60,000hrs (based on LM-80, TM-21 and in-situ laboratory testing)

Warranty:

- 5 year limited system warranty
- see www.UnamiLighting.com for complete warranty terms and conditions



Ordering Guide:

example: CEL MD UV PPD 850-SP BZ

Series	Output	Voltage	Shielding	CRI/CCT	-	Mounting	Options	Finish
	MD		PPD		-			
CEM CEL	MD	UV 34 48	PPD	840 850		Blank QMB	Blank SF DF SP EM	BZ Custom Colors Available Upon Request

Accessories: (order separately)

- **CEM-PPD** Replacement PPD lens for CEM
- **CEL-PPD** Replacement PPD lens for CEL
- **PPC120** 1/2" CdS Pencil Photocell, 110V-130V, 0-200°
- **PPC277** 1/2" CdS Pencil Photocell, 208V-277V, 0-200°
- **SPC120** 1/2" CdS Swivel Photocell, 110V-130V, 0-200°
- **SPC277** 1/2" CdS Swivel Photocell, 208V-277V, 0-200°
- **BPC120** Button Photocell, 110V-130V

Series: CEM Canopy Square Medium
CEL Canopy Square Large

Lumen Output: MD Medium

Voltage: UV 120-277V
34 347V (CEL only)
48 480V (CEL only)

Shielding: PPD Prismatic Polycarbonate Drop Lens

CRI/CCT: 840 80 CRI / 4000K
850 80 CRI / 5000K

Mounting: Blank None
QMB Quick Mount Bracket

Options: Blank None
SF Single Fuse
DF Double Fuse
SP Surge Protection
EM 4500 mAh Ni-MH Battery Back-up (90 min; 120-277V only)

Finish: BZ Bronze

Performance Chart:

Catalog #	Lumens	Wattage	LPW
CEM MD UV PPD 840	3211	26.2	122.4
CEM MD UV PPD 850	3344	26.2	127.5
CEL MD UV PPD 840	6016	51.9	116.0
CEL MD UV PPD 850	6267	51.9	120.8

Mounting:



The QMB hinged quick-mount bracket allows for quick and easy installation. The stamped steel bracket can mount over recessed electrical box, or be used with 3/4" NPS pendant (supplied by others). CSA listed for damp location mounting.

Photometric Data:

CEM MD UV PPD 850

Test No.: s17030051a-01
Luminaire Lumens: 3,344 lm
Luminaire Watts: 26.2W
Efficacy: 127.5 LPW
Spacing Criterion (0-180): 1.42
Spacing Criterion (90-270): 1.44

Luminance Data (cd/sq.m)

Angle In Degrees	Average 0-Deg	Average 45-Deg	Average 90-Deg
45	11801	11037	11325
55	11406	10262	11240
65	9585	9038	8858
75	6451	5649	6794
85	3030	2676	3045

Coefficients Of Utilization - Zonal Cavity Method Effective Floor Cavity Reflectance 0.20

RC	80				70				50				30			
RW	70	50	30	10	70	50	30	10	50	30	10	50	30	10		
0	117	117	117	117	113	113	113	113	106	106	106	100	100	100		
1	105	100	95	90	101	97	92	88	91	87	84	85	82	80		
2	95	86	78	72	91	83	76	70	78	72	67	73	68	64		
3	86	74	65	58	82	72	64	57	68	61	55	64	58	53		
4	78	65	56	49	75	63	54	48	59	52	46	56	50	44		
5	71	58	48	41	68	56	47	40	53	45	39	50	43	38		
6	65	51	42	35	63	50	41	35	47	40	34	45	38	33		
7	60	46	37	31	58	45	36	30	43	35	30	40	34	29		
8	56	42	33	27	54	41	33	27	39	31	26	37	30	25		
9	52	38	30	24	50	37	29	24	36	28	23	34	27	23		
10	49	35	27	22	47	34	27	21	33	26	21	31	25	20		

Tested in accordance with IES standards utilizing absolute photometry per LM-79-08

CEL MD UV PPD 850

Test No.: s17030051b-01
Luminaire Lumens: 6,267 lm
Luminaire Watts: 51.9W
Efficacy: 120.8 LPW
Spacing Criterion (0-180): 1.42
Spacing Criterion (90-270): 1.40

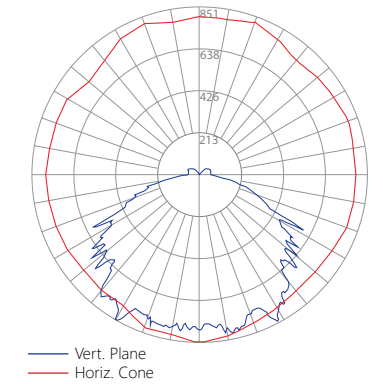
Luminance Data (cd/sq.m)

Angle In Degrees	Average 0-Deg	Average 45-Deg	Average 90-Deg
45	11430	11601	12217
55	11326	10960	9661
65	9887	9216	9503
75	7318	6768	6836
85	3630	3380	3517

Coefficients Of Utilization - Zonal Cavity Method Effective Floor Cavity Reflectance 0.20

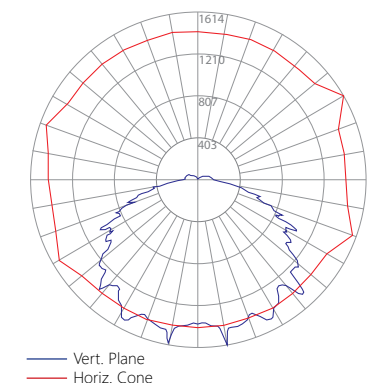
RC	80				70				50				30			
RW	70	50	30	10	70	50	30	10	50	30	10	50	30	10		
0	117	117	117	117	114	114	114	114	107	107	107	101	101	101		
1	105	100	95	90	102	97	92	88	91	87	84	86	83	80		
2	95	85	78	71	91	83	76	70	78	72	67	73	69	64		
3	85	74	65	58	82	72	63	57	68	61	55	64	58	53		
4	78	65	55	48	75	63	54	47	59	52	46	56	50	44		
5	71	57	48	41	68	56	47	40	53	45	39	50	43	38		
6	65	51	42	35	63	50	41	34	47	39	34	45	38	33		
7	60	46	37	30	58	45	36	30	43	35	29	40	34	29		
8	56	42	33	27	54	41	32	26	39	31	26	37	30	25		
9	52	38	30	24	50	37	29	24	36	28	23	34	27	23		
10	49	35	27	21	47	34	26	21	33	26	21	31	25	20		

Tested in accordance with IES standards utilizing absolute photometry per LM-79-08



Zonal Lumen Summary

Zone	Lumens	%Fixt
0-20	294.05	8.80
0-30	647.32	19.40
0-40	1121.98	33.50
0-60	2168.06	64.80
0-80	2915.84	87.20
0-90	3043.88	91.00
90-120	216.05	6.50
90-130	265.00	7.90
90-150	299.11	8.90
90-180	300.58	9.00
0-180	3344.46	100.00



Zonal Lumen Summary

Zone	Lumens	%Fixt
0-20	545.46	8.70
0-30	1217.56	19.40
0-40	2076.12	33.10
0-60	4058.17	64.80
0-80	5536.82	88.40
0-90	5799.91	92.60
90-120	358.05	5.70
90-130	420.52	6.70
90-150	464.61	7.40
90-180	466.68	7.40
0-180	6266.58	100.00