



Project: _____
 Location: _____
 Cat. #: _____
 Type: _____
 Quantity: _____

LED

EFS/EFM LED Flood/Wall Sconce

Features:

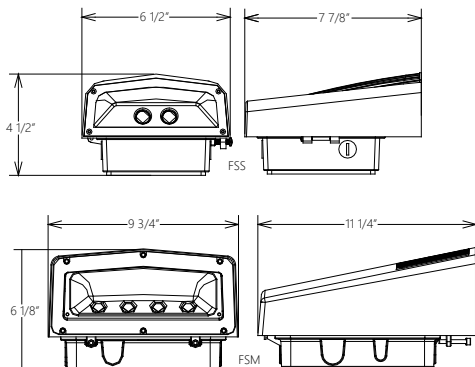
- High performance LED technology
- 0-10V dimming drivers standard
- Up to 100 lumens per watt
- Works as both a flood light and a wall sconce
- Multiple mounting methods and 4 available lumen outputs adds to the versatility of this luminaire, making it suitable for many applications

Applications:

Suitable for most exterior wall mount and flood applications

- Industrial
- Retail
- Commercial

Schematics:



Construction:

- Die cast aluminum housing
- Textured powdercoat finish over a chromate conversion coating

Certifications:

- CSA listed for wet locations
- IP65

Predicted L70 Lifetime:

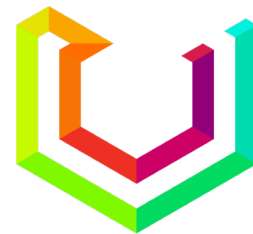
> 76,000hrs @ 25°C ambient (calculated)
 (based on LM-80, TM-21 and in-situ laboratory testing)

Ambient Operating Temp:

-40°C to 50°C

Warranty:

- 5 year limited system warranty
- see www.UnamiLighting.com for complete warranty terms and conditions



Ordering Guide:

example: EFS HI F UV CFG 840-AKT BZ

Series	Output	Optic	Voltage	Shielding	CRI/CCT	-	Mounting	Options	Finish
EFS EFM	MD HI	F	UV	CFG	840	-	Blank AKT AKS AUB	Blank SF DF SP	BZ Custom Colors Available Upon Request

Accessories: (order separately)

- **PPC120** 1/2" CdS Pencil Photocell, 110V-130V, 0-200°
- **PPC277** 1/2" CdS Pencil Photocell, 208V-277V, 0-200°

Series:	EFS Flood/Sconce Small EFM Flood/Sconce Medium	Mounting:	Blank None / Wall Mount AKT Adjustable Knuckle w/ 1/2" NPS Threads AKS Adjustable Knuckle Slipfitter <i>(for EFM only)</i> AUB Adjustable U-Bracket <i>(for EFM only)</i>
Lumen Output:	MD Medium HI High	Options:	Blank None SF Single Fuse DF Double Fuse SP Surge Protection
Optic:	F Flood	Finish:	BZ Bronze
Voltage:	UV 120-277V		
Shielding:	CFG Clear Flat Glass		
CRI/CCT:	840 80 CRI / 4000K		

Performance Chart:

Catalog #	Lumens	Wattage	LPW
EFS MD F UV CFG 840	2300	21.1	114.1
EFS HI F UV CFG 840	4025	41.7	96.6
EFM MD F UV CFG 840	6508	52.9	123.0
EFM HI F UV CFG 840	8212	80.7	101.7

Mounting:



EFS with 'BLANK' - Wall Mount



EFS with AKT - Knuckle



EFM with AKS - Slipfitter

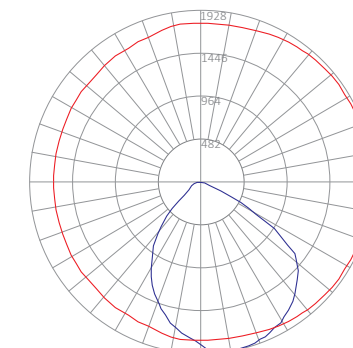


EFM with AUB - U-Bracket

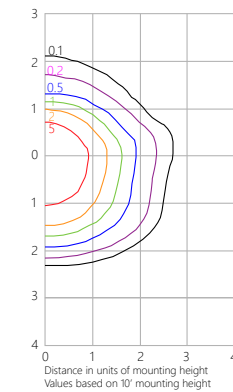
Photometric Data:

EFS HI F UV CFG 840

Test No.: 2,859
 Luminaire Lumens: 4,025 lm
 Luminaire Watts: 41.7W
 Efficacy: 96.6 LPW



Vert. Plane — Blue
 Horiz. Cone — Red



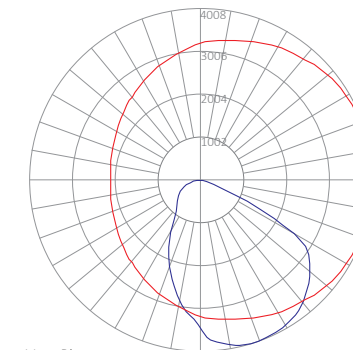
Lum. Classification System (LCS)

LCS Zone	Lumens	%Lum
FL (0-30)	754.7	18.8
FM (30-60)	1457.9	36.2
FH (60-80)	220.1	5.5
FVH (80-90)	0.2	0.0
BL (0-30)	634.5	15.8
BM (30-60)	823.0	20.4
BH (60-80)	129.6	3.2
BVH (80-90)	5.0	0.1
UL (90-100)	< 0.05	0.0
UH (100-180)	0.0	0.0
Total	4025.0	100.0

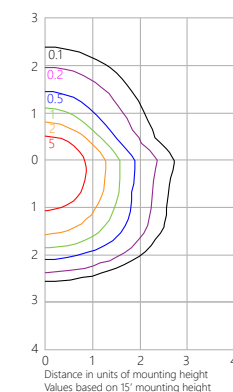
BUG Rating B2-U1-G1

EFM HI F UV CFG 840

Test No.: 2,860
 Luminaire Lumens: 8,212 lm
 Luminaire Watts: 80.7W
 Efficacy: 101.7 LPW



Vert. Plane — Blue
 Horiz. Cone — Red



Lum. Classification System (LCS)

LCS Zone	Lumens	%Lum
FL (0-30)	1536.5	18.7
FM (30-60)	3310.1	40.3
FH (60-80)	705.1	8.6
FVH (80-90)	2.7	0.0
BL (0-30)	1052.1	12.8
BM (30-60)	1250.6	15.2
BH (60-80)	335.5	4.1
BVH (80-90)	19.5	0.2
UL (90-100)	0.1	0.0
UH (100-180)	0.0	0.0
Total	8212.2	100.0

BUG Rating B3-U1-G1