



Project: _____
 Location: _____
 Cat. #: _____
 Type: _____
 Quantity: _____

LED



EUL LED Emergency Unit

Features:

- Ultra-bright, long life white LED lamp heads
- 8 LEDs per head (1 watt total per head)
- Adjustable LED lamp heads allow for optimal center to center spacing.
- Optional high-lumen heads available for increased center to center spacing
- Dual 120/277V
- Charge rate/power "ON" LED indicator light and push to test switch for mandated code compliance testing
- 3.6V long life, maintenance free, rechargeable NiCd battery
- Internal solid-state transfer switch automatically connects the internal battery to LED board and LED lamp heads for minimum 90-minute emergency illumination
- Fully automated solid-state, two rate charger initiates battery charging to recharge a discharged battery in 24 hours

Applications:

Suitable for wall or ceiling mount in dry or damp locations where emergency lighting is needed

Warranty:

- 5 year limited warranty on housing and electronics. Battery pro rated for 5 yrs.
- see www.UnamiLighting.com for complete warranty terms and conditions

Construction:

- Injection molded 5VA flame retardant, high-impact resistant thermoplastic housing

Mounting:

- Surface mount via quick-connect back plate; fits most standard size junction boxes and snaps into place to make internal electrical connections
- Top and side knockout for conduit applications

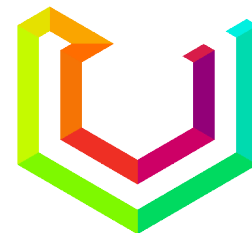
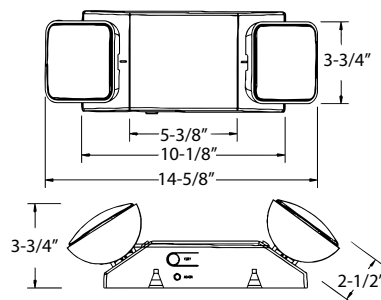
Certifications:

- UL listed for damp locations
- UL924
- NFPA 101 Life Safety Code
- NEC
- OSHA
- Local and State Codes

Ambient Operating Temp:

0°C to 50°C

Schematic:



EUL LED Emergency Unit

Ordering Guide:

example: EUL DV B-SD HL

Series	Voltage	Housing Color	-	Options
EUL			-	
EUL LED Emergency Unit	DV Dual 120/277V MT Multi-tap 208/220/240V	W White B Black		Blank None SD Self Diagnostics ⁽¹⁾ HL High Lumen ⁽²⁾ RC Remote Capacity ⁽³⁾

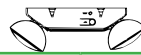
Notes

- ⁽¹⁾ not available in MT 208/220/240V
- ⁽²⁾ 12-LED heads (1.5W per head)
- ⁽³⁾ maximum 3W allowed - consult factory for remote lamp compatability

Electrical Chart:

Catalog #	Input Watts (W) 120V	Input Watts (W) 277V	Input Watts (W) 208V	Input Watts (W) 220V	Input Watts (W) 240V	Input Amps (A) 120V	Input Amps (A) 277V	Input Amps (A) 208V	Input Amps (A) 220V	Input Amps (A) 240V
EUL	1.8	1.8	2.6	3.5	3.1	0.022	0.010	0.024	0.029	0.025
EUL-SD	1.6	1.6	-	-	-	0.020	0.010	-	-	-

Center to Center Spacing Guide: (for reference use only)



	7'	6'	5'	4'	3'	2'	1'	0	1'	2'	3'	4'	5'	6'	7'	8'
1'	0.2	0.3	0.5	0.4	0.4	0.5	0.6	0.8	1	0.8	0.9	0.8	0.4	0.2	0.2	
2'	0.3	0.5	0.7	0.8	0.9	0.8	0.9	1	1.1	1.4	1.1	0.8	0.5	0.3	0.2	
3'	0.4	0.7	1	1	1.1	1.1	1.1	1.3	1.4	1.1	0.9	0.9	0.7	0.5	0.2	
4'	0.5	0.7	0.9	1.1	1.2	1.2	1	1.1	1.1	1	1.1	0.8	0.6	0.3	0.2	
5'	0.5	0.7	0.8	0.8	1	1.1	0.8	0.8	1	0.9	0.6	0.5	0.4	0.3	0.2	
6'	0.4	0.5	0.7	0.7	0.8	0.8	0.6	0.5	0.6	0.5	0.4	0.4	0.3	0.2	0.2	

Meets NFPA 101 requirements for: 10' center-to-center spacing - 3' path of egress 1' from wall - 7-1/2" mounting height