



Project: _____
Location: _____
Cat. #: _____
Type: _____
Quantity: _____

LED

LMB LED Multi-Purpose Area Light

Features:

- High performance LED technology
- 0-10V dimming drivers standard, down to 10%
- Multiple mounting options for maximum versatility - yoke, trunnion, arm, slipfitter
- Bullhorns and wall mounts available
- Available in two sizes, in a wide range of lumen output options
- Optional NEMA photocell receptacles and photocells

Applications:

Suitable for most exterior street or area light applications:

- Street Lighting
- Parking Lots
- Exterior sport courts
- Sign lighting
- Building facades

Ambient Operating Temp.:

- -40°C to 45°C

Construction:

- Die cast aluminum housing
- PMMA lens - lenses are rated IK10
- Durable dark bronze powder coat finish
- 6kV surge protection
- Watertight, compression-type electrical connectors

Certifications:

- cULus listed for wet locations
- IP66
- Rated for 3G vibration
- Complies with FCC Part 15, class B

Predicted L70 Lifetime:

- L70 @ 149,000 hrs
- L90 @ 44,000 hrs
(based on LM-80, TM-21 and in-situ laboratory testing)

Warranty:

- 5 year limited system warranty
- see www.UnamiLighting.com for complete warranty terms and conditions



LMB LED Multi-Purpose Area Light

Ordering Guide:

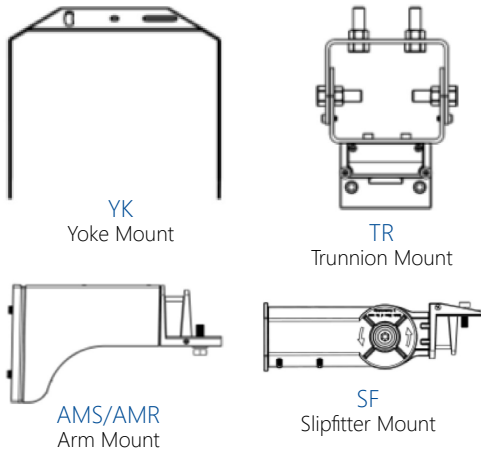
example: LMB MD 3 UV 850 TR BZ

Series	Output	Optic	Voltage	CRI/CCT	Mounting	Controls	Finish
LMB							BZ
LMB	VL Very Low	3 Type III	UV 120-277V	840 80 CRI/4000K	YK Yoke Mount	Blank None	BZ Bronze
	LW Low	5S Type V Short	HV 347-480V ⁽¹⁾	850 80 CRI/5000K	TR Trunnion Mount	PC NEMA 3-Pin Photocell	
	MD Medium				AMS Arm Mount (For Square Poles)		
	HI High				AMR Arm Mount (For Round Poles)		
	VH Very High				SF Adjustable Slip-Fitter Mount		

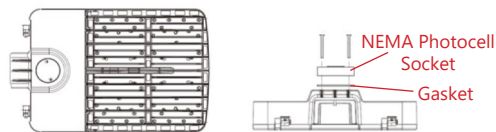
Notes

⁽¹⁾ Available on LMB HI and VH only

Mounting Options

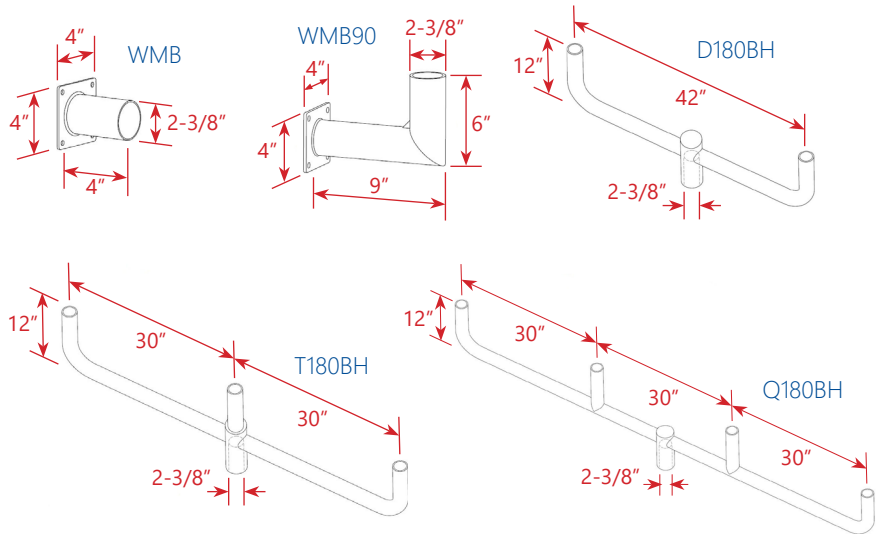


NEMA Photocell Option



Mounting Accessories (order separately)

- WMB** Wall Mount Bracket
- WMB90** 90° Wall Mount Bracket
- D180BH** Double 180° Bullhorn Mounting Bracket
- T180BH** Triple 180° Bullhorn Mounting Bracket
- Q180BH** Quadruple 180° Bullhorn Mounting Bracket



Performance Chart:

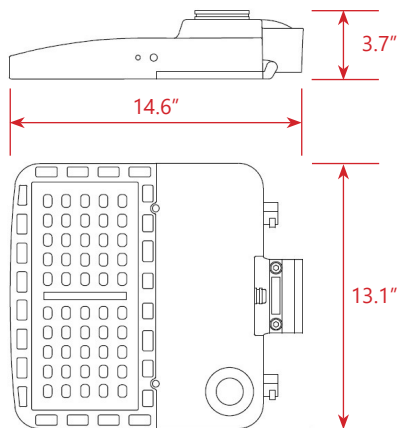
Catalog #	Lumens	Wattage	LPW	BUG Rating
LMB VL 3 UV 840	99	13,333	135	B3-U0-G2
LMB VL 5S UV 840	99	13,268	134	B3-U0-G1
LMB LW 3 UV 840	148	19,515	132	B3-U0-G3
LMB LW 5S UV 840	149	19,605	132	B4-U0-G2
LMB MD 3 UV 840	203	26,082	129	B4-U0-G4
LMB MD 5S UV 840	202	26,040	129	B4-U0-G2
LMB HI 3 UV 840	232	30,273	131	B4-U0-G3
LMB HI 5S UV 840	232	31,298	135	B5-U0-G1
LMB VH 3 UV 840	297	39,480	133	B5-U0-G4
LMB VH 5S UV 840	297	39,577	133	B5-U0-G2
LMB HI 3 HV 840	234	30,100	129	B4-U0-G3
LMB HI 5S HV 840	234	30,912	132	B5-U0-G1
LMB VH 3 HV 840	311	39,880	128	B5-U0-G4
LMB VH 5S HV 840	311	40,155	129	B5-U0-G2

Catalog #	Lumens	Wattage	LPW	BUG Rating
LMB VL 3 UV 850	99	13,420	136	B3-U0-G2
LMB VL 5S UV 850	100	13,470	135	B3-U0-G0
LMB LW 3 UV 850	147	20,024	137	B3-U0-G3
LMB LW 5S UV 850	148	19,843	134	B4-U0-G2
LMB MD 3 UV 850	203	26,305	129	B4-U0-G4
LMB MD 5S UV 850	203	26,343	130	B4-U0-G2
LMB HI 3 UV 850	230	31,324	136	B4-U0-G3
LMB HI 5S UV 850	240	32,395	135	B5-U0-G1
LMB VH 3 UV 850	287	39,587	138	B5-U0-G4
LMB VH 5S UV 850	288	39,814	138	B5-U0-G2
LMB HI 3 HV 850	231	30,617	133	B4-U0-G3
LMB HI 5S HV 850	231	31,614	137	B5-U0-G1
LMB VH 3 HV 850	307	40,431	132	B5-U0-G4
LMB VH 5S HV 850	307	40,705	133	B5-U0-G2

Schematics:

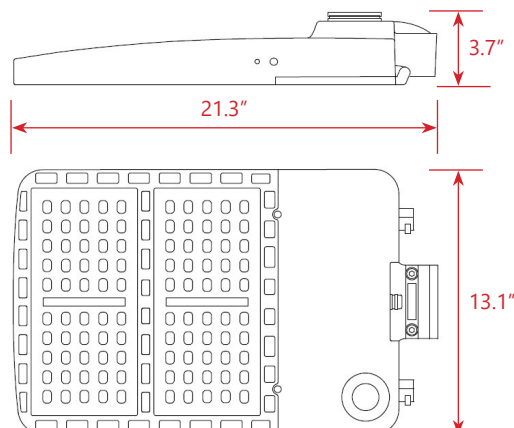
LMB VL, LW, MD Models

Weight: 12 lbs.
 EPA: Front = 0.3 ft²
 Side = 0.3 ft²
 Face = 1.2 ft²



LMB HI and VH Models

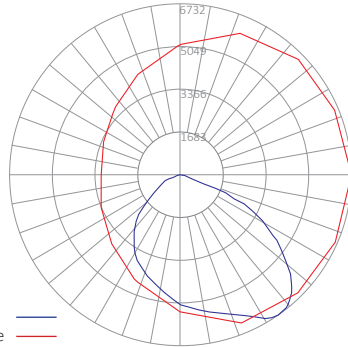
Weight: 17 lbs.
 EPA: Front = 0.3 ft²
 Side = 0.3 ft²
 Face = 1.9 ft²



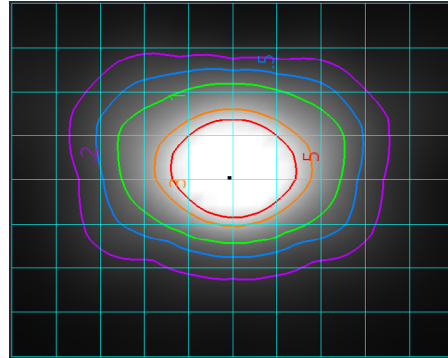
Photometric Data:

LMB LW 3 UV 840

Test No.: R2DG210203052-10
Luminaire Lumens: 19,599 lm
Luminaire Watts: 144.6W
Efficacy: 135.5 LPW
BUG Rating: B3-U0-G3



Vert. Plane ———— blue
 Horiz. Cone ———— red



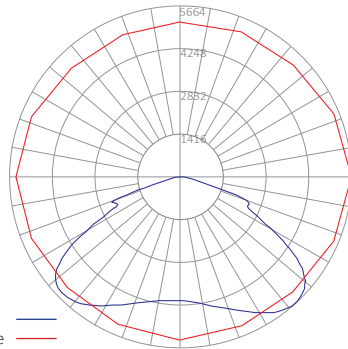
Mounting Height = 15'
 Grid: 15' x 15' squares

Isolines at:
 5fc/3fc/1fc/0.5fc/0.2fc

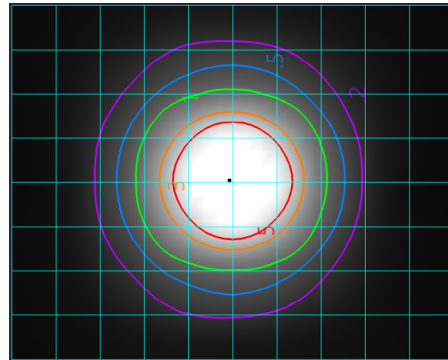
Tested in accordance with IES standards utilizing absolute photometry per LM-79-08

LMB LW 5S UV 840

Test No.: R2DG210203053-10
Luminaire Lumens: 19,606 lm
Luminaire Watts: 146.2W
Efficacy: 134.1 LPW
BUG Rating: B4-U0-G2



Vert. Plane ———— blue
 Horiz. Cone ———— red



Mounting Height = 15'
 Grid: 15' x 15' squares

Isolines at:
 5fc/3fc/1fc/0.5fc/0.2fc

Tested in accordance with IES standards utilizing absolute photometry per LM-79-08